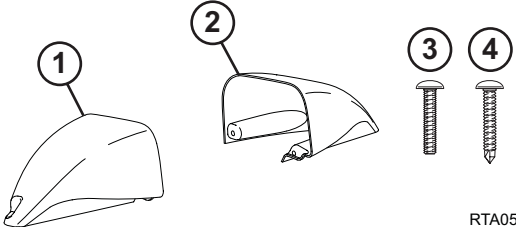


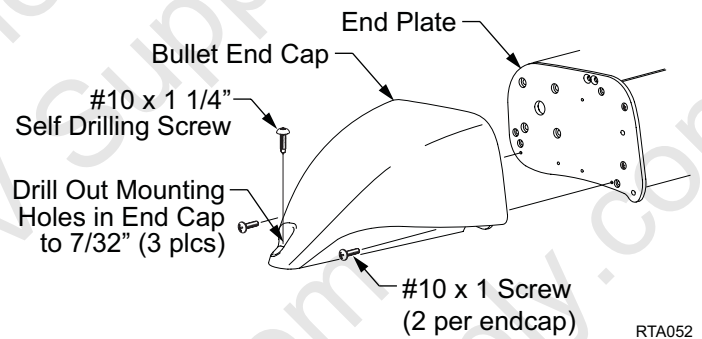
APEX BULLET ENDCAPS

The Apex Bullet Endcaps are designed to provide an aerodynamic contour to the ends of the Apex box awning.

COMPONENT CHECK LIST

		COMPONENT	QTY
	1	Endcap, LH	
	2	Endcap, RH	
	3	Screw, Phillips Truss Head	#10 x 1 4
	4	Screw, PPH, Self Drilling	#10 x 1 1/4 2

1. Inspect the endcaps. The mounting hole locations are marked with a dimple. Drill out the dimple using a 7/32" drill bit.
2. Position the endcap on the end of the awning. Align the mounting holes with the threaded holes in the endplate and attach using two (2) each #10 x 1 phillips truss head screws.
3. Attach the endcap to the coach roof using one (1) #10 x 1 1/4 self-drilling screw.



RTA052

This Manual is Compliments of

Northwest RV Supply

86325 College View Road
Eugene, OR 97405

Local: 541-746-9092

Toll-Free: 866-678-7467

Fax: 541-736-5573

<http://www.nwrvsupply.com>
mail@nwrvsupply.com

Northwest RV Supply carries a large spectrum of surplus, used, and new RV parts and components. Please feel free to visit our website for additional information.