

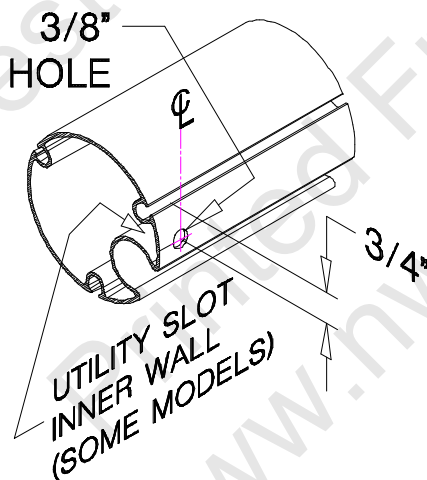
**CUSTOMER MUST RECEIVE THIS MANUAL UPON INSTALLATION—THIS MANUAL CONTAINS SAFETY, INSTALLATION, OPERATION, CARE AND MAINTENANCE AND WARRANTY**

## **INSTALLATION INSTRUCTIONS**

### **TO INITIALLY INSTALL:**

**USE THESE INSTRUCTIONS IN ADDITION TO THE REGULAR INSTALLATION INSTRUCTIONS FOR YOUR AWNING.**

- A. Once the awning is completely installed per your awning instructions, roll awning out to full extension.
- B. Slide braces up and lock into place.
- C. Line the trusses up with the pockets that are sealed into the underside of the fabric.
- D. At the point where the trusses are lined up with the pockets, make a mark on the roller tube at the end of the trusses,  $\frac{3}{4}$ " down from the slot the fabric is sewn into.



- E. Drill  $\frac{3}{8}$ " holes at the previously marked locations.
- F. Position the white backing plates horizontally in a direct line with the pockets that are sealed into the underside of the fabric and butted directly up to the underside of the awning rail. Mark the location of the mounting holes in the plate.
- G. Drill  $\frac{7}{32}$ " holes and attach the backing plates with the provided  $\frac{3}{16}$ " molly rivets.

**SEE BACK PAGE FOR INSTRUCTIONS ON HOW TO USE.**

## OPERATING INSTRUCTIONS

### TO SET UP:

- A. Roll awning completely out.
- B. Grasp the trusses (1) at a time and line them up with holes in the roller tube, the top backing plates and the pockets that are sealed into the underside of the fabric.
- C. With the bow facing upward, place the flat end portion of the truss on the backing plate and butted up to the underside of the awning rail. Pull down slightly on the truss and insert the point on the other end of the truss in the hole in the roller tube.
- D. Make sure velcro is not affixed on the pockets and the pockets are open so that the trusses will snap into place.
- E. From the center of each truss, push upward until the truss bows upward into the fabric and is positioned into the vinyl pockets that are sealed into the underside of the fabric.  
**CAUTION: TAKE CARE NOT TO HAVE FINGERS UNDER TRUSS WHEN SNAPPING IN THE BOWED UPWARD POSITION.**
- F. Attach the two portions of velcro together to close off the pocket.
- G. Wrap the vinyl Gators around awning braces, pull the awning fabric tight front to rear and attach the velcro on the Gators to the velcro on the awning fabric. This will prevent the fabric from flapping in the wind.

### TO REMOVE:

- A. Detach velcro holding Gators to the fabric. Unwrap Gators from braces and store away.
- B. Detach velcro holding the sealed pockets for the trusses together.
- C. From the center, pull straight down on each of the trusses individually.  
**CAUTION: ONCE THE TRUSSES GO PAST CENTER THEY WILL RAPIDLY COME DOWNWARD. TAKE CAUTION NOT TO LET THE GATORS STRIKE YOU AS YOU ARE REMOVING AND TAKE CAUTION THAT THE TRUSSES DO NOT POKE HOLES IN THE AWNING FABRIC OR DAMAGE THE VEHICLE SIDEWALL.**

**Carefree  
of Colorado**

A Scott Fetzer Company  
2145 West 6<sup>th</sup> Ave.  
Broomfield, Co. 80020

This Manual is Compliments of

# Northwest RV Supply

86325 College View Road  
Eugene, OR 97405

Local: 541-746-9092

Toll-Free: 866-678-7467

Fax: 541-736-5573

<http://www.nwrvsupply.com>  
[mail@nwrvsupply.com](mailto:mail@nwrvsupply.com)

Northwest RV Supply carries a large spectrum of surplus, used, and new RV parts and components. Please feel free to visit our website for additional information.