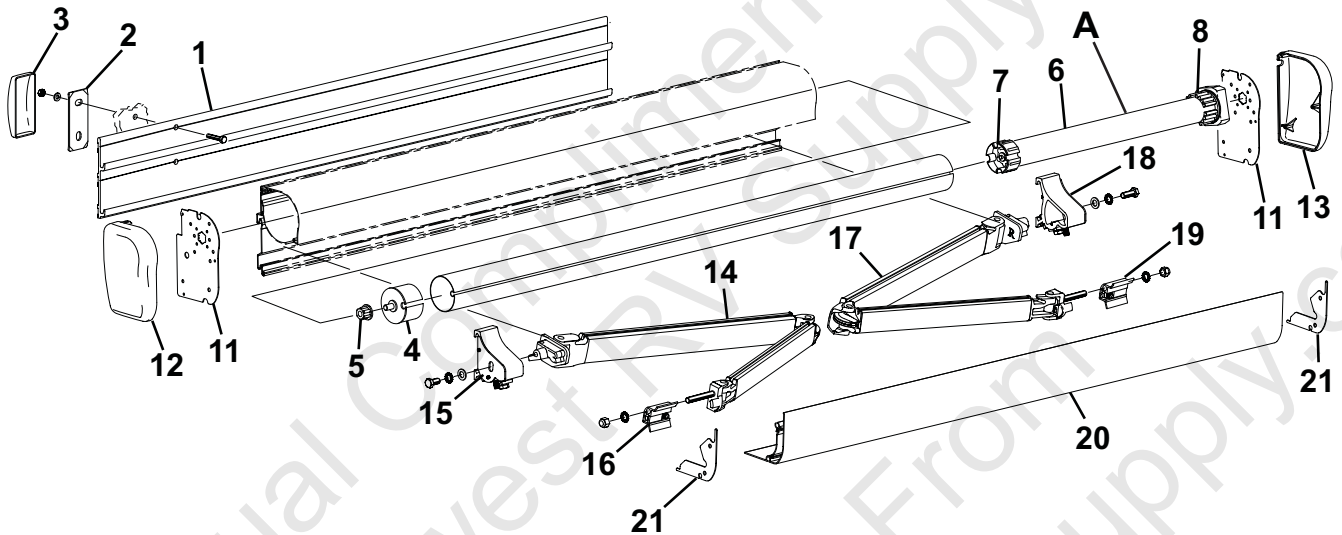
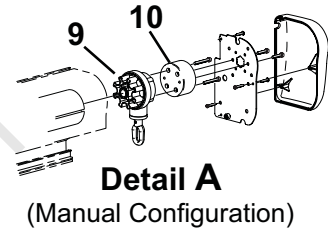
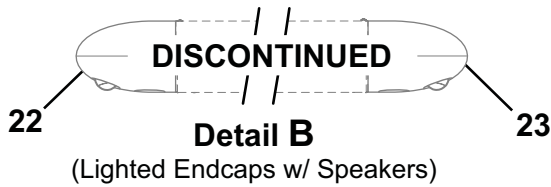
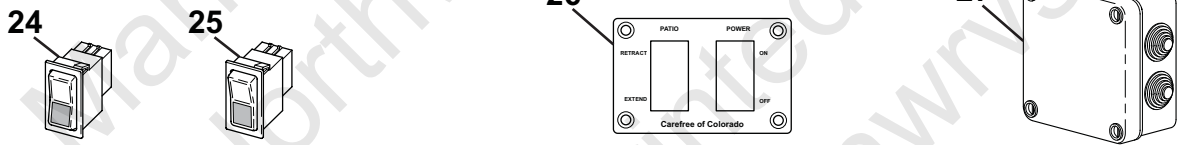


**MIRAGE ILLUSTRATED PARTS LIST**

*For Mirage Service Procedures and Parts Availability, Contact Carefree*

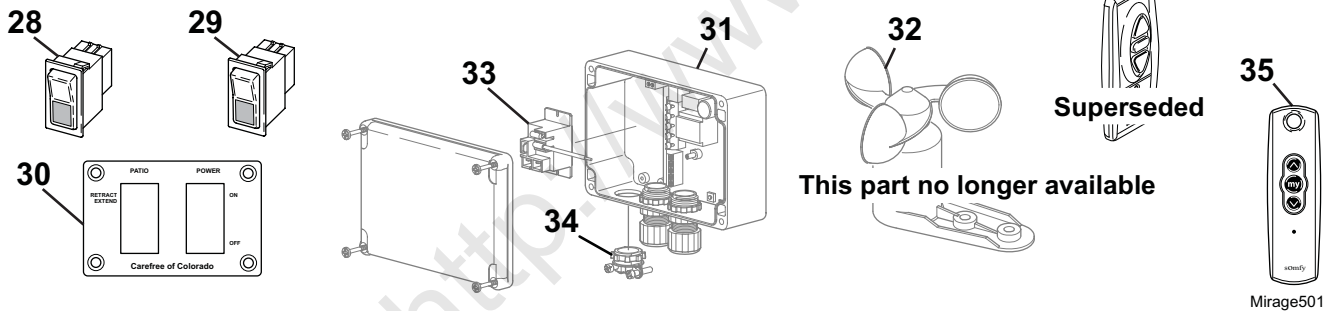


**Simple Electrical**



**Automatic Wind Retraction Components**

**This System DISCONTINUED - Limited Parts Availability**



**Electronic components shown are not used for the Direct Response system.  
For Direct Response Electronics, Refer to "ELECTRONIC SYSTEMS AND COMPONENTS"**

<b>Item</b>	<b>Part Number</b>	<b>Description</b>	<b>Notes</b>
1	R001077SAT-xxx	Mounting Plate	
2	R036333-001	Backing Plate	
3	R040548-001	Cover, Backing Plate	
4	R001054	End Plug, Roller Tube, Left	
5	R062755-001	Glide Bushing, LH	
6	R001055	Motor Assy	
7	R030886-001	Drive Gear, Motor	
8	R030885-001	Crown, Motor	
9	R062779-001	Hand Crank Assy	
10	R040551-001	Spacer	Used w/ Hand Crank
11	R001052	End Plate, Housing	
12	R001051XXX	End Cap, Standard, LH	
13	R001056XXX	End Cap, Standard, RH	
14	R001085XXX	Spring Arm Assy, LH	3
15	R062764-001	Knuckle, LH, Spring Arm, Mirage	3
16	R062766-001	Connector, LH, Lead Rail, Mirage	3
17	R001084XXX	Spring Arm Assy, RH	4
18	R062765-001	Knuckle, RH, Spring Arm, Mirage	4
19	R062767-001	Connector, RH, Lead Rail, Mirage	4
20	R001173XXX-xxx	Lead Rail	
21	R001053	End Plate, Lead Rail	
22	Discontinued	End Cap w/ Light and Speaker, Left	2
23	Discontinued	End Cap w/ Light and Speaker, Right	2
	55WH3	Bulb (not shown)	Not Available from Carefree
24	R001113	Switch, DPDT Momentary ON	Ext/Ret
25	R060443-005	Switch, DPST	ON/OFF
26	R019633-006	Switch Plate	
27	R060487-001	Relay Box	
28	R060443-004	Switch, SPST, Momentary ON	Ext/Ret
29	R060443-005	Switch, DPST	ON/OFF
30	R019633-006	Switch Plate	
31	R060452-001	Control Box	Wind Sensor
32	Discontinued	Anemometer	Wind Sensor
33	R060478-001	Relay Assy	Wind Sensor
34	R060481-001	Clamp, Wire	Wind Sensor
35	SR0017	Remote Control	Wind Sensor
<b>ITEMS NOT SHOWN</b>			
36	R012458-001	Hardware Pack, Motorized, Aftermarket	
37	R012458-002	Hardware Pack, Manual, Aftermarket	
38	R012459-001	Hardware Pack, OEM	
39	R001179	Arm Shim Kit	

- Notes:
1. XXX = Color; xxx = Length in inches.
  2. End Caps w/ Lights and Speakers have been discontinued and are no longer available.
  3. Item 14 (LH Spring Arm Assy) contains items 15 and 16 (LH Knuckle and Lead Rail Connector).
  4. Item 17 (RH Spring Arm Assy) contains items 18 and 19 (RH Knuckle and Lead Rail Connector).
  5. The anemometer is no longer available. The part is discontinued and no longer manufactured.

This Manual is Compliments of

# Northwest RV Supply

86325 College View Road  
Eugene, OR 97405

Local: 541-746-9092

Toll-Free: 866-678-7467

Fax: 541-736-5573

<http://www.nwrvsupply.com>  
[mail@nwrvsupply.com](mailto:mail@nwrvsupply.com)

Northwest RV Supply carries a large spectrum of surplus, used, and new RV parts and components. Please feel free to visit our website for additional information.