

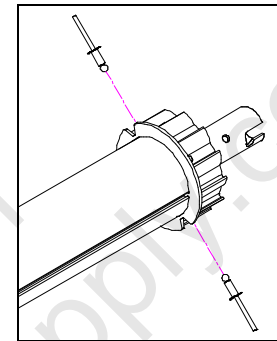
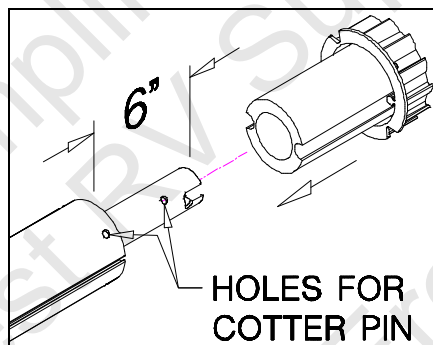
OMEGA RETROFIT KIT INSTRUCTIONS

052893-001

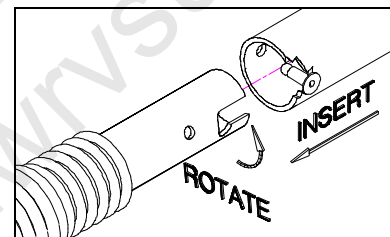
USE THESE INSTRUCTIONS IN CONJUNCTION WITH THE OMEGA INSTALLATION INSTRUCTIONS WHEN REPLACING SIDEOUT AWNING SPRINGS AND ARMS WITH THE OMEGA RETROFIT KIT.

1. Remove existing Sideout awning from vehicle. This includes both the arm hardware and the roller assembly. **CAUTION: TAKE CARE WHEN REMOVING TENSION FROM SPRING ASSEMBLIES. TENSION CAN RAPIDLY SPIN OFF OF SPRING ASSEMBLIES POSSIBLY CAUSING INJURY OR DAMAGE TO AWNING OR VEHICLE.**
2. On a suitable workbench, drill out the rivets that are attaching the spring assemblies of the old sideout awning to the roller tube. Carefully remove spring assemblies from roller tube.
3. At the left end of the roller tube, insert the bushing and roller sprocket. Be sure to use the sprocket marked 'Left'. Using two pop rivets, secure the roller sprocket to the roller tube.

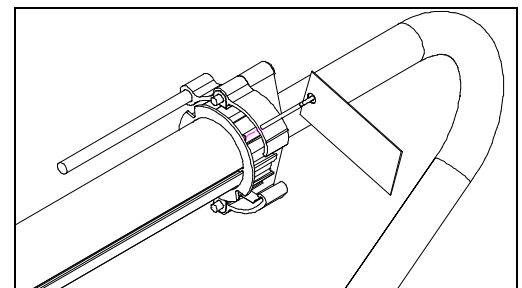
4. Move to the right end of the roller tube and insert all but six inches of the spring assembly into the tube. Slip the roller sprocket and bushing over the end of the spring. Like the previous step, use the two pop rivets to fasten the sprocket to the roller tube. The end of the aluminum tube (spring adapter) connected to the main torsion spring should still extend beyond the end of the roller tube.



5. Engage the right hand Omega assembly into the spring adapter. Locate the cotter pin and keep close by. Wind the spring assembly 15 turns in a counter-clockwise direction looking at the roller from the right end.



6. Identify the two holes in the spring adapter that the cotter pin will pass through. Push the spring adapter into the roller tube far enough such that the cotter pin can be inserted into the sprocket and spring adapter and still come out the other side.



7. Release the tension on the Omega arm and disengage the spring adapter. Set the arm aside.
8. Follow the regular Omega Installation Instructions to continue.

This Manual is Compliments of

Northwest RV Supply

86325 College View Road
Eugene, OR 97405

Local: 541-746-9092

Toll-Free: 866-678-7467

Fax: 541-736-5573

<http://www.nwrvsupply.com>
mail@nwrvsupply.com

Northwest RV Supply carries a large spectrum of surplus, used, and new RV parts and components. Please feel free to visit our website for additional information.