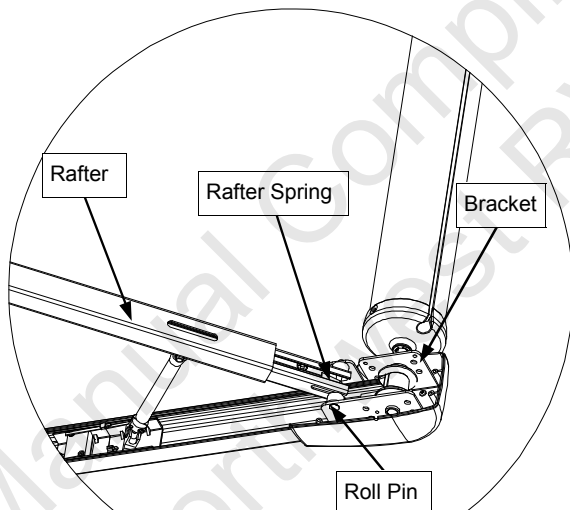


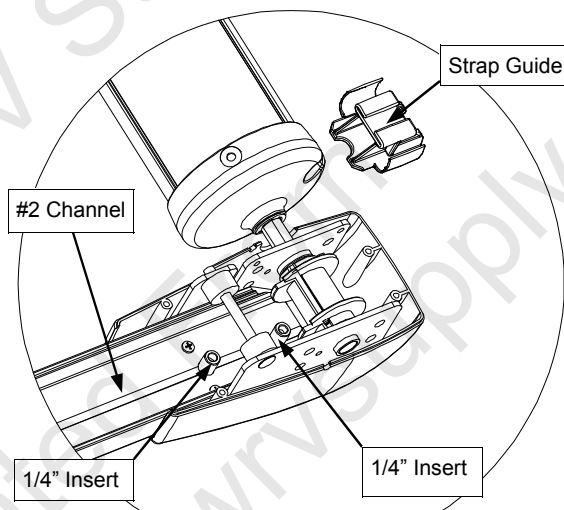
# Carefree of Colorado ONE-Touch Strap Guide instructions

**NOTE: COVER AND STRAP ARE NOT SHOWN FOR ILLUSTRATION PURPOSES .**

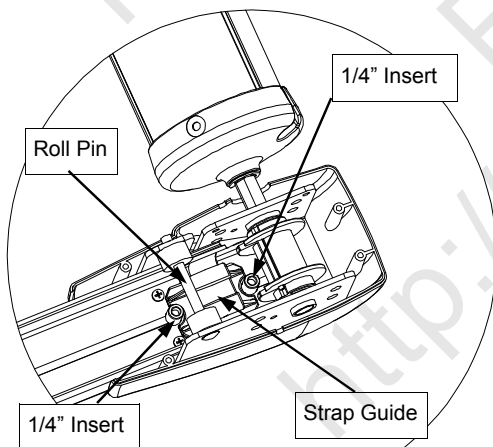
1. Disconnect Rafter from bracket, push Rafter forward, depress Rafter Spring, and pull Rafter back off the Roll Pin and out of way (see figure A).
2. Insert Strap Guide into arm under strap and between the 1/4" inserts as shown in figure B & C. Note: No fasteners are needed to hold Strap Guide in place.
3. Route Strap through Strap Guide as shown in figure D.
4. Reconnect Rafter on Roll Pin of bracket as shown in figure A.



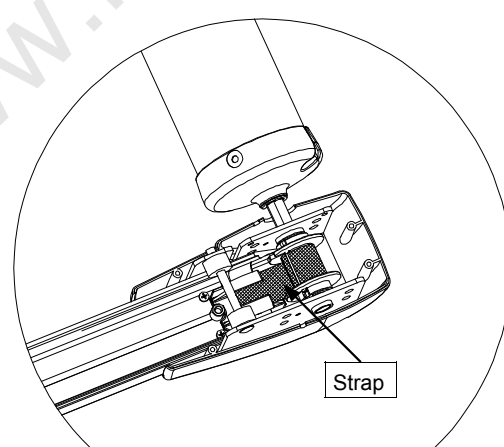
**figure A**



**figure B**



**figure C**



**figure D**

This Manual is Compliments of

# Northwest RV Supply

86325 College View Road  
Eugene, OR 97405

Local: 541-746-9092

Toll-Free: 866-678-7467

Fax: 541-736-5573

<http://www.nwrvsupply.com>  
[mail@nwrvsupply.com](mailto:mail@nwrvsupply.com)

Northwest RV Supply carries a large spectrum of surplus, used, and new RV parts and components. Please feel free to visit our website for additional information.